



Installation Instructions - Supplemental

Serial Interface to MODBUS Control

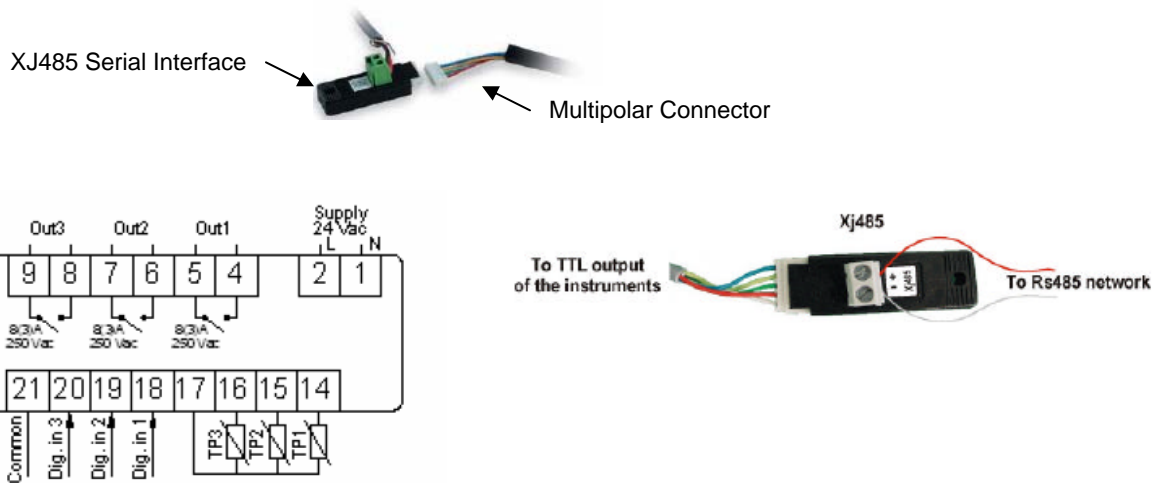
WARNING: If the information in the supplied instructions and manual(s) is not followed exactly, a fire, explosion or exposure to hazardous materials may result, causing property damage, personal injury or loss of life.

106624 KIT, MODBUS APPLICATION FOR TEMPTRAC

Part No.	Item Description	Qty.
106623	MODULE, INTERFACE CONVERTER DIXELL #XJRS485 W/CABLE	1 ea.
106625	MANUAL, MODBUS APPLICATION GUIDE FOR TEMPTRAC 34-502	1 ea.
107857	SHEET SUPPLEMENTAL, SERIAL INTERFACE	1 ea.

Serial Interface

The XJ485 serial interface and multipolar connector converts the TTL output into a RS485 signal that can be used to connect the controller to the controlling and supervising system.



Back of TempTrac Control

The TempTrac control comes standard with a TTL communication port also used as the HOT KEY programming interface. The terminals on the XJ485 that connect to the RS485 MODBUS system are labeled as (+) and (-). The common circuit on the MODBUS system should be terminated at the common (Terminal 1) on the back of the TempTrac control.