

Installation Instructions - Supplemental

Stacking Skid for PRIMERA® 400 (B or W), 750 (B or W) and 1000 (B or W)

Installation of the stacking frame must be performed by a qualified service installer, service agency or the gas supplier. These instructions are to supplement the Installation and Maintenance Manual provided with your Primera water heater or boiler.

Before you begin, read and follow these instructions, as well as the information contained in the Primera® Installation and Maintenance Manual. To obtain an additional copy of the Primera® Installation and Maintenance Manual, or for any questions, call Riverside Hydronics, LLC at 1-800-990-5918.

WARNING: If the information in the supplied instructions and manual(s) is not followed exactly, a fire, explosion, exposure to hazardous materials or falling unit may result, causing property damage, personal injury or loss of life.

Following is a list of all components contained in the kit.
Refer to STACKING FRAME CONTENTS, Fig-1 during assembly.

2 each – STACKING FRAME BOTTOM	2 each – STACKING FRAME TOP
4 each - NUT/BOLT/LOCKWASHER SET – 5/16"	2 each – STACKING FRAME ANGLE CLAMPS
14 each – NUT/BOLT/LOCKWASHER SET – ½"	1 each – STACKING FRAME PLATE

STACKING FRAME CONTENTS

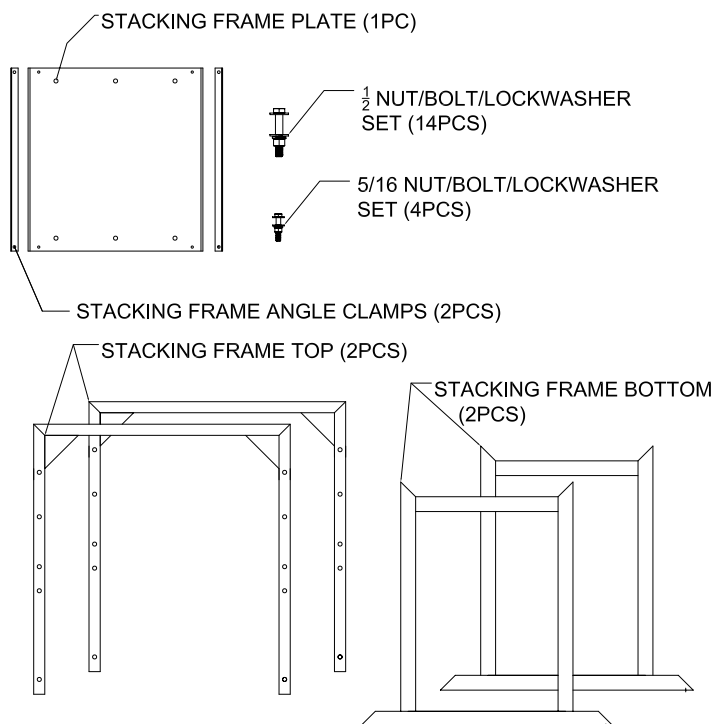
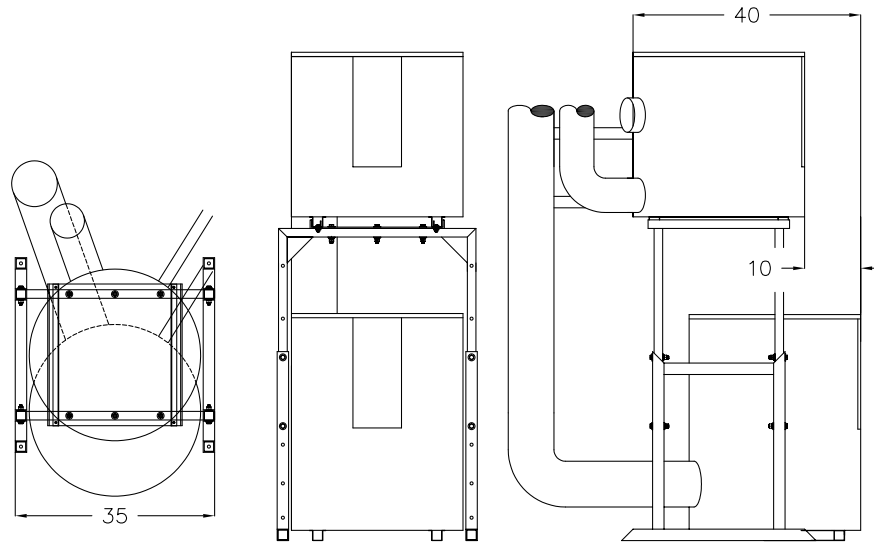


FIG - 1

The stacking frame is designed to support two Primera® products only, installed one above the other. The stacking frame can be assembled to three different heights depending on the model of the lower Primera® unit (See FIG-2). It is important that the stacking frame be assembled to the correct height so the top access cover of the lower unit can be adequately accessed for service. The stacking frame must be assembled and attached to the floor, following all instructions and warnings, before installation of Primera® products. It is also important to position the lower unit **at least 10 inches forward** from the upper stacked unit for proper access.

Refer to FIG-2.

ASSEMBLED STACKING FRAME



OVERALL STACKED HEIGHT (DIM A)			
PRIMERA	400	750	1000
400	75"	81"	84"
750	82"	88"	91"
1000	85"	91"	94"

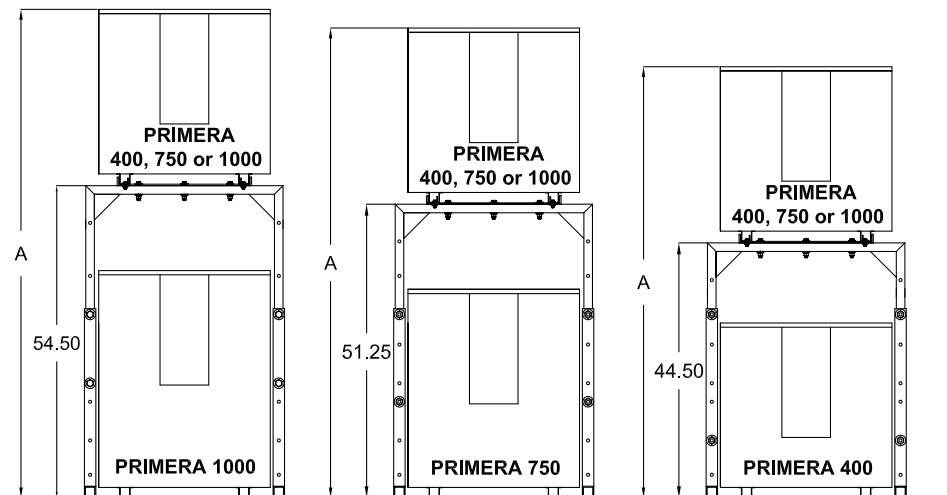


FIG - 2

Step 1

Referring to FIG -3, position both of the STACKING FRAME BOTTOM pieces on either side of lower unit. Slide the STACKING FRAME TOP pieces into the STACKING FRAME BOTTOM pieces to the correct height as specified in FIG -2. Using 8 of the ½ NUT/BOLT/LOCKWASHER SETS, secure the upper portion of the stacking frame into that of the lower. Attach the STACKING FRAME PLATE to the STACKING FRAME TOP pieces using 6 of the ½ NUT/BOLT/LOCKWASHER SETS as shown in FIG – 3. Prior to attaching the stacking frame assembly to the floor, be sure it is properly located to allow convenient connection of all services to the upper and lower Primera.

WARNING! The upper Primera® must not be installed until the stacking frame base is attached to a sound and level structural floor through the four holes provided in the stacking frame bottom with anchors adequate to prevent the upper Primera® and stacking frame from tipping. If the stacking frame and upper Primera® are not adequately secured a fire, explosion, exposure to hazardous materials or falling unit may result, causing property damage, personal injury or loss of life.

STACKING FRAME ASSEMBLY - STEP 1

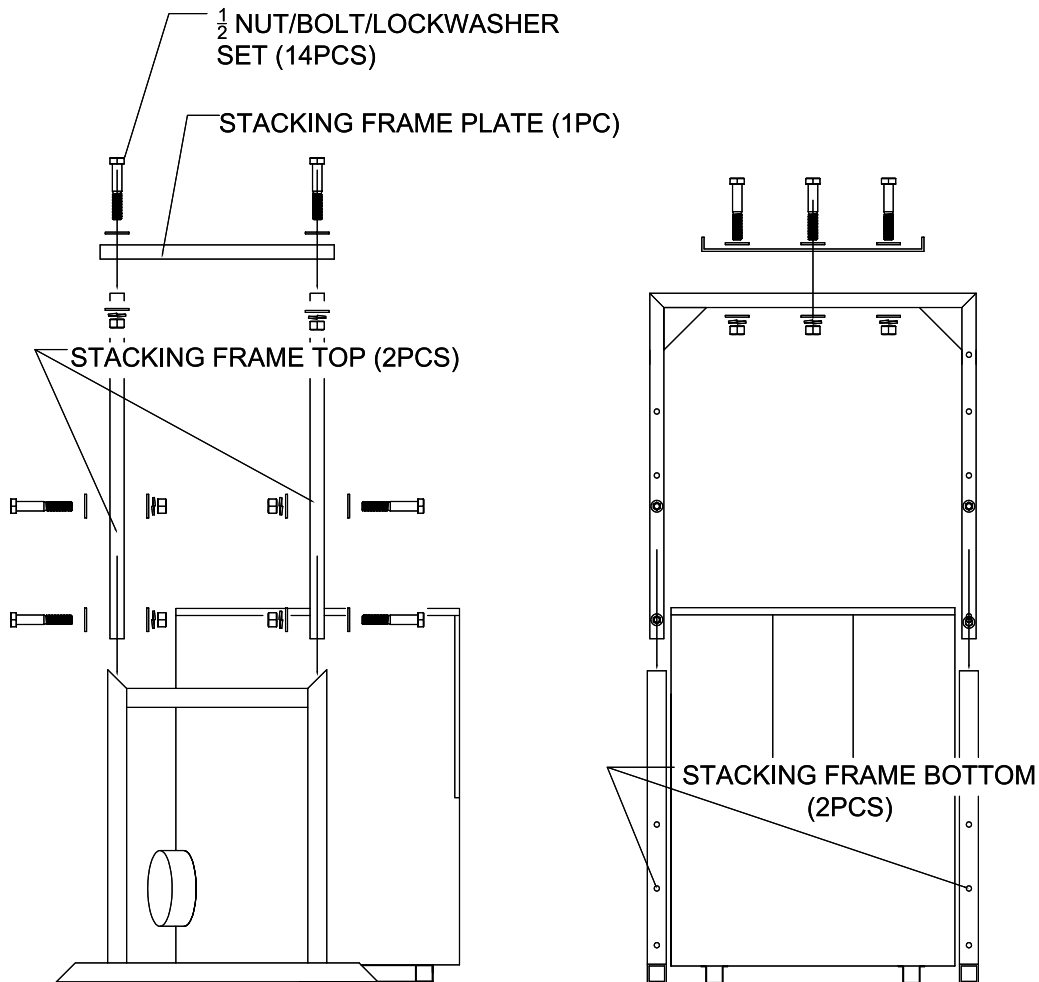


FIG - 3

Step 2

After the stacking frame has been assembled and attached to the floor, install the upper Primera® onto the STACKING FRAME PLATE. The Primera® runners (feet) will fit between the flanges of the STACKING FRAME PLATE so that it sits level. Slide the STACKING ANGLE CLAMPS into the runners of the Primera® and secure the clamps to the frame plate using four 5/16 NUT/BOLT/LOCKWASHER SETS as illustrated in FIG - 4. Install the lower Primera® offset to the front of the upper Primera® at least 10 inches. Installing the lower Primera® directly beneath the upper Primera® will not allow top service access for the lower Primera®.

STACKING FRAME ASSEMBLY - STEP 2

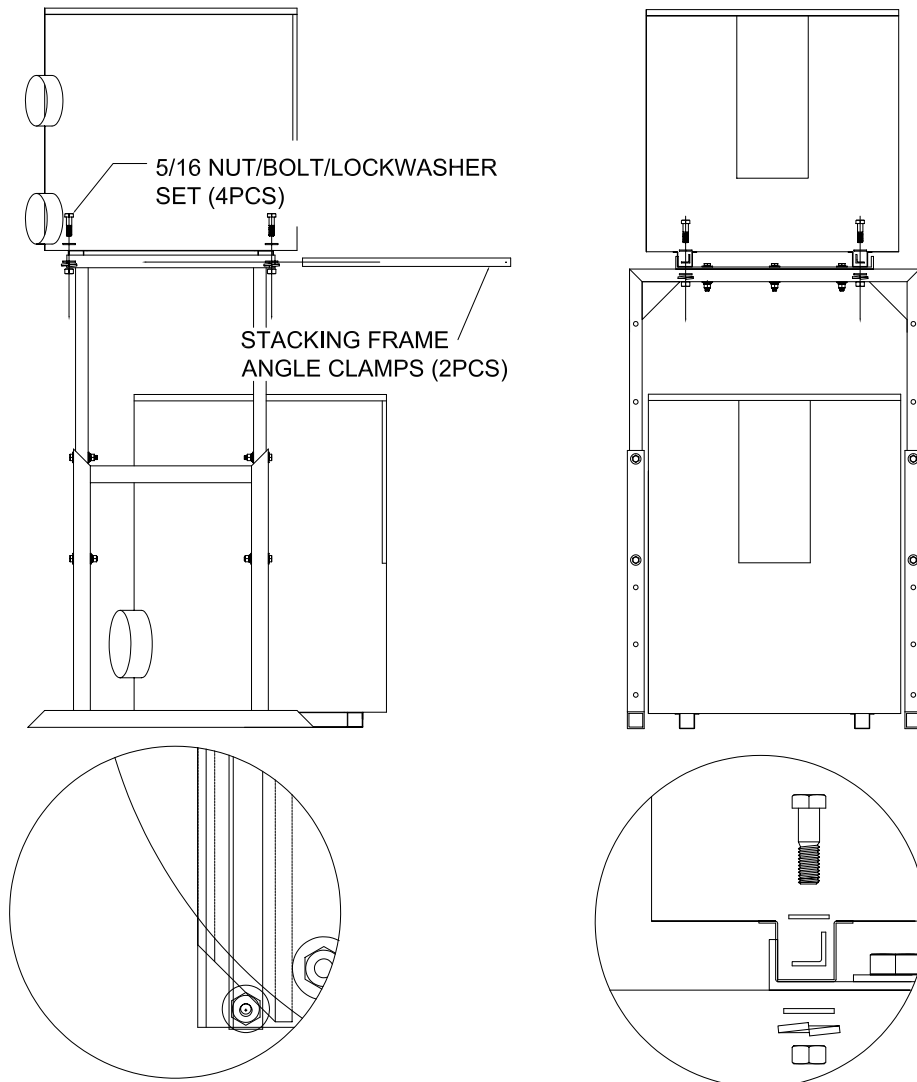


FIG - 4