

Installation Instructions - Supplemental

Outdoor Vent Package & Pump Cover for PRIMERA® 400 (B or W), 750 (B or W), 1000 (B or W), 1200 (B or W), 1600 (B or W) and 2000 (B or W)

Installation of the Outdoor Vent Package and Pump Cover must be performed by a qualified service installer, service agency or the gas supplier. These instructions are to supplement the Installation and Maintenance Manual provided with your PRIMERA water heater or boiler.

Before you begin, read and follow these instructions, as well as the information contained in the PRIMERA® Installation and Maintenance Manual. To obtain an additional copy of the PRIMERA® Installation and Maintenance Manual, or for any questions, call Riverside Hydronics, LLC at 1-800-990-5918.

WARNING: If the information in the supplied instructions and manual(s) is not followed exactly, a fire, explosion, exposure to hazardous materials or other hazard may result, causing property damage, personal injury or loss of life.

Following is a list of all components contained in the kit. (DO NOT SUBSTITUTE OTHER VENTING PARTS):

- 1 – OUTDOOR FLUE ASSEMBLY
- 1 – AIR INTAKE ASSEMBLY TOP PAN
- 1 – AIR INLET COVER PLATE
- 1 – OUTDOOR PUMP COVER
- 8 – SCREW, #8 x 3/4" S.S.

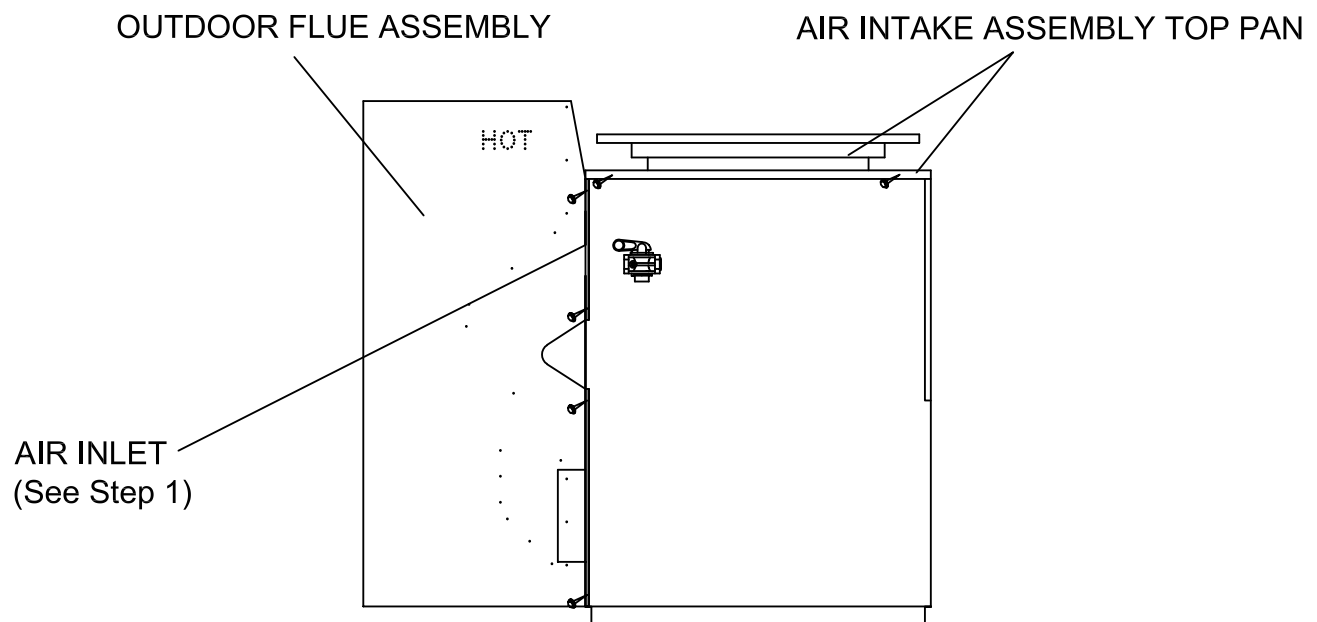


Fig 1

WARNING! The model number of the PRIMERA® must be the same as the model number embossed in the middle upper portion of the OUTDOOR FLUE ASSEMBLY. If the model numbers do not match, do not continue with installation. Obtain the correct Outdoor Vent Package for your PRIMERA. If an OUTDOOR FLUE ASSEMBLY with a model number that does not match the PRIMERA is used, a fire, explosion, exposure to hazardous materials or other hazard may result, causing property damage, personal injury or loss of life.

Step 1

Remove and retain the three sheet metal screws from the top cover pan. Remove and discard top cover pan. Locate the air inlet at rear of unit. Remove the four screws that hold the screen and the retaining ring to the air inlet hole. Note the PRIMERA 400 water heaters and boilers do not have an inlet screen or retaining ring. Discard the screen and the retaining ring, but keep the four sheet metal screws. Attach the AIR INLET COVER PLATE to the PRIMERA jacket using the four sheet metal screws. Obtain and use a silicone based (RTV) adhesive/sealant to make a rain tight seal between the AIR INLET COVER PLATE and the PRIMERA jacket as the screws are tightened. Using the three retained sheet metal screws, attach the AIR INTAKE ASSEMBLY TOP PAN to the PRIMERA in place of the discarded top pan cover. Refer to Fig-1.

Step 2

Locate the OUTDOOR FLUE ASSEMBLY with the word 'HOT' formed from punched holes stamped in the upper portion of the assembly and confirm the model number is embossed in the middle upper portion of the assembly is the same as the model number of the PRIMERA, before continuing (see warnings). The OUTDOOR FLUE ASSEMBLY provides necessary wind and rain protection for the PRIMERA flue products outlet. This flue outlet is located at the bottom rear of the PRIMERA jacket. Insert the opening in the lower portion of the OUTDOOR FLUE ASSEMBLY over the PRIMERA flue products outlet collar. Align the assembly vertically on the PRIMERA rear jacket, with the flanges of the OUTDOOR FLUE ASSEMBLY fitted tightly against the PRIMERA jacket. Screw the vent assembly to the jacket using the eight provided sheet metal screws. Refer to Fig-1.

Step 3 (PRIMERA 400)

If the PRIMERA circulating pump is located outdoors, it must be covered with the provided pump cover to protect it from rain. The PRIMERA 400 pump cover attaches to the water plumbing with two hose clamps and must be positioned over the top of the pump. Attach the hose clamps to the plumbing and slide them over the protruding tabs on the pump cover. Tighten the hose clamps onto the plumbing. Refer to Fig – 2.

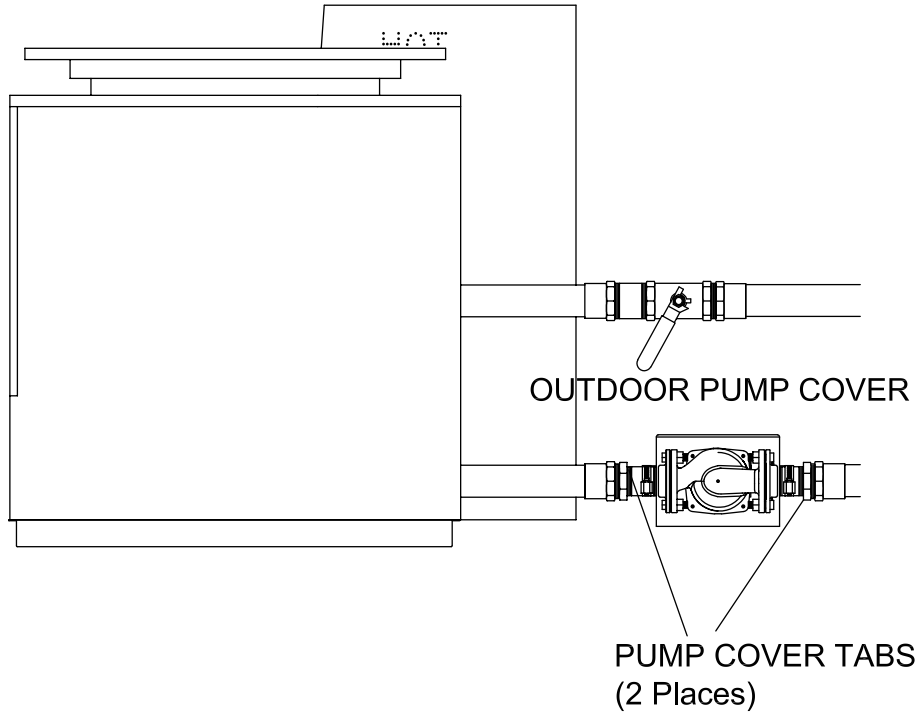


Fig 2

Step 3 (all except PRIMERA 400)

If the PRIMERA circulating pump is located outdoors, it must be covered with the provided pump cover to protect it from rain. All PRIMERA 750, 1000, 1200, 1600 and 2000 pump covers mount to the cast coupling of the pump. To mount the pump cover, loosen the two bolts on the upper portion of the pump coupling and slide the pump cover over the motor so that the slots of the pump cover align with the bolts of the coupling. Retighten the bolts securely. Refer to Fig -3.

**LOOSEN TWO BOLTS AT TOP OF CAST PUMP COUPLING,
SLIDE PUMP COVER DOWN AND RETIGHTEN BOLTS**

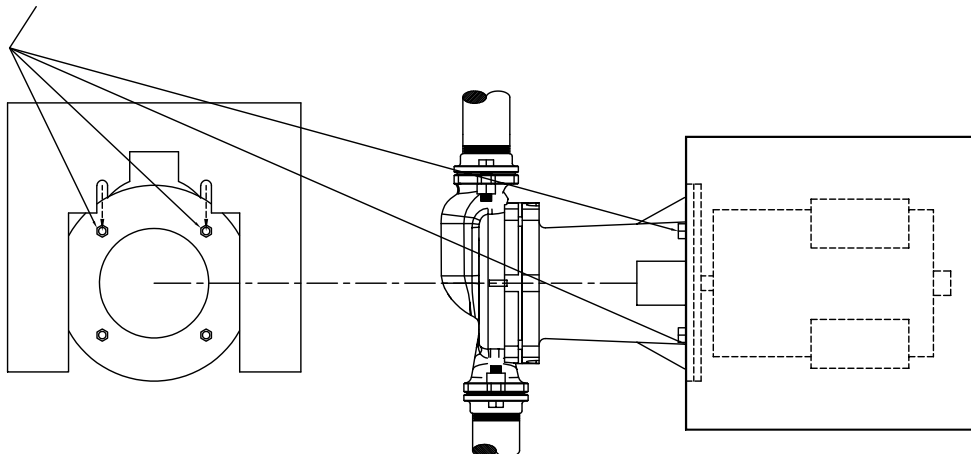


Fig 3

Step 4

It is necessary to periodically check the AIR INLET FILTER to make sure it is clean and free of obstruction. A six month cleaning interval is suggested, however local conditions may require a shorter or longer inspection and cleaning interval. To check the air inlet filter, remove top of AIR INLET FILTER. See Fig-4. After removing the AIR INLET FILTER from the PRIMERA, it can be cleaned with water. Replace a damaged filter with part number 103035.

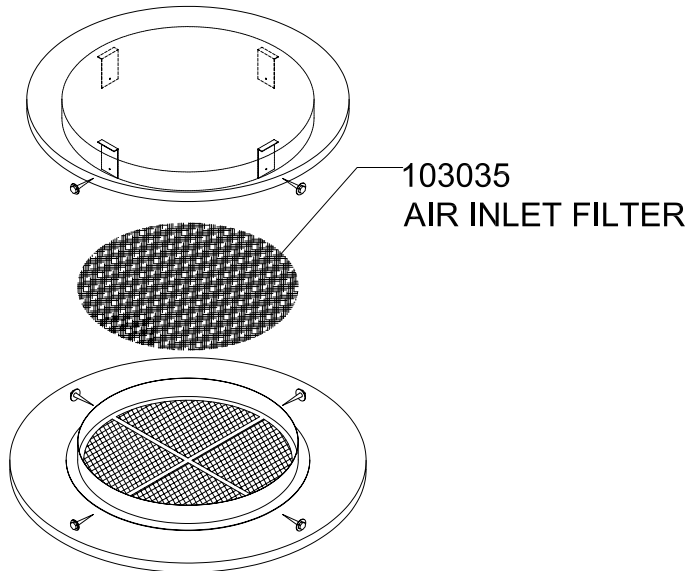


Fig 4