

Centauri® Condensing Boiler

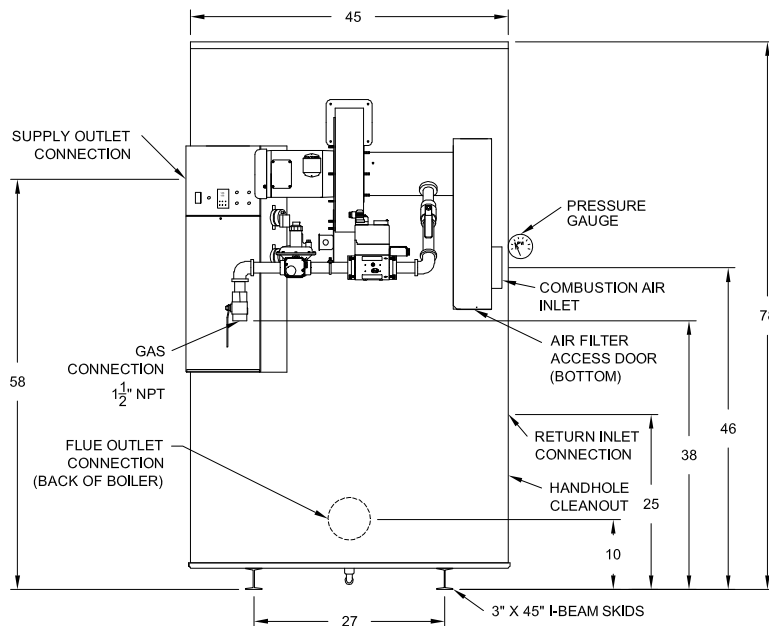
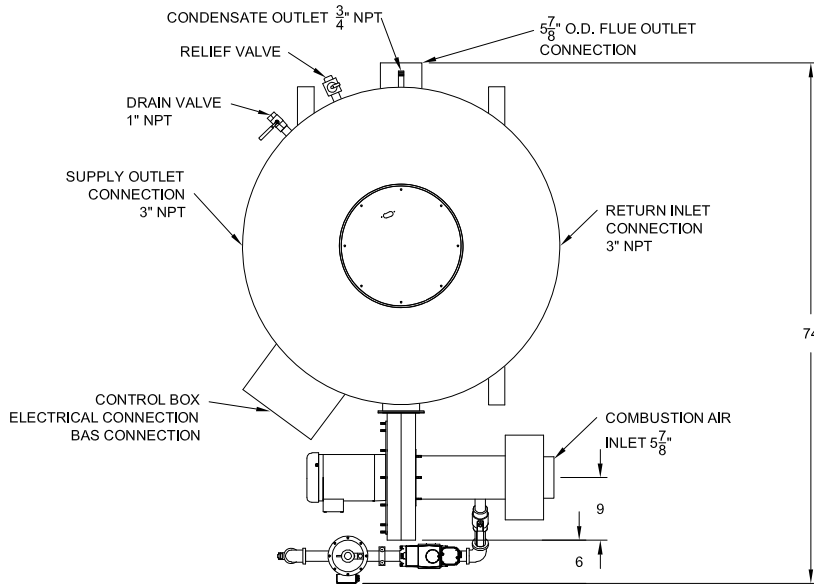
Model: 2000 WB 250A-IFC

Full modulation
 ≤ 15 ppm NOx throughout turndown

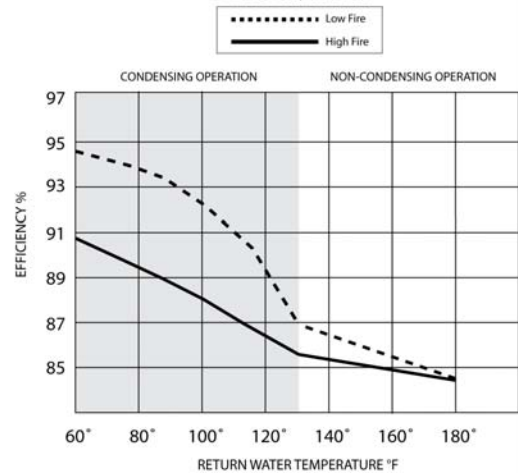
Max. Input Btu/h	2,000,000
* Max. Output Btu/h	1,720,000
** Minimum Inlet Flow Gas Pressure	4.5" W.C.
Maximum Static Gas Pressure	14" W.C.

Shipping Wt - Lbs	2320
Operating Wt - Lbs	3550

* Output per DOE, 10 CFR 431



CENTAURI BOILER EFFICIENCY CURVES
 with 20°F Temperature Rise



Standard Electrical

120V, 1Ø, 60 Hz., 20 amp circuit

Optional Electrical

240V, 1Ø, 60 Hz., 15 amp circuit
 120V control circuit

208/230V, 3Ø, 60 Hz. 9 amps
 480V, 3Ø, 60 Hz. 4.5 amps
 120V control circuit required
 120V transformer optional

Venting

Use an ETL, UL, ULC or CSA listed Category IV, 6" stainless steel vent, minimum distance 5 ft., maximum distance 100 eq. ft.
 Longer vents, ETL listed w/larger diameters, see I&M.

Inlet Combustion Air

Up to 100 eq. ft. using 6" PVC or galvanized vent pipe.
 Longer lengths, ETL listed w/larger diameters, see I&M.

** Alternate Gas Pressure

For < 4.5"W.C., consult factory

Minimum Service Clearances

18" from sides, 24" from front and top

Emissions

All BTU inputs:
 < 15 ppm NOx