

Centauri® Condensing Boiler

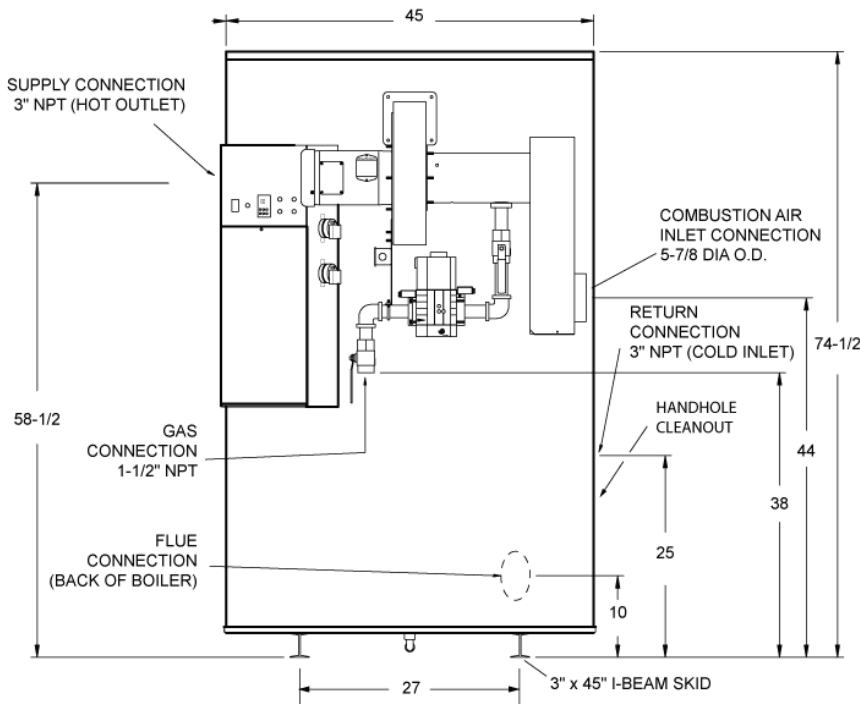
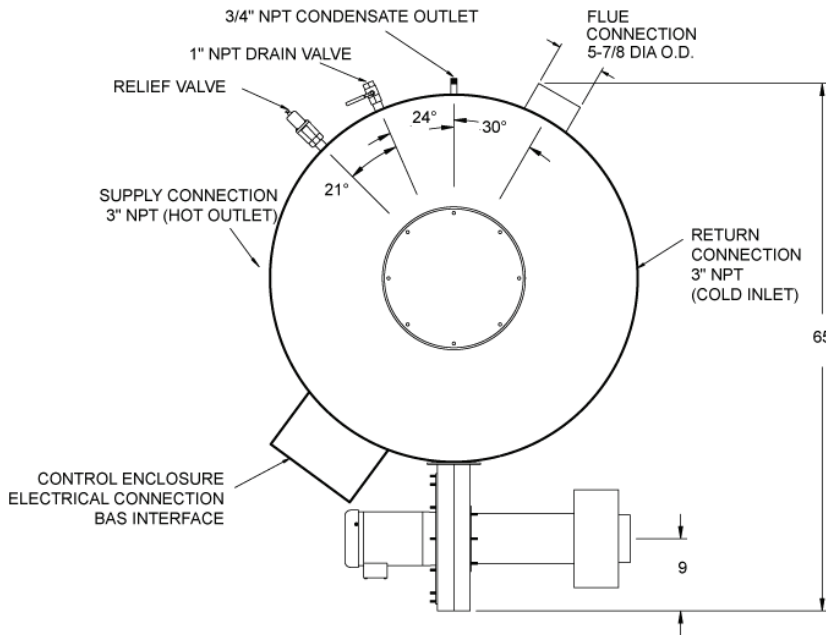
Model: 1800 WB 250A-IFC

Full modulation
 ≤ 10 ppm NOx throughout turndown

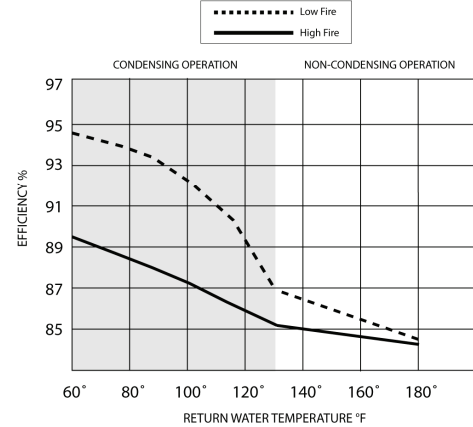
Max. Input Btu/h	1,800,000
* Max. Output Btu/h	1,530,000
Max. Output Btu/h (80°F - 100°F)	1,584,000
** Minimum Inlet Flow Gas Pressure	4.5" W.C.
Maximum Static Gas Pressure	14" W.C.

Shipping Wt - Lbs	2190
Operating Wt - Lbs	3300

* Output per DOE, 10 CFR 431



CENTAURI BOILER EFFICIENCY CURVES
 with 20°F Temperature Rise



Standard Electrical

120V, 1Ø, 60 Hz., 30 amp circuit

Optional Electrical

240V, 1Ø, 60 Hz., 15 amp circuit
 120V control circuit

208/230V, 3Ø, 60 Hz. 9 amps
 480V, 3Ø, 60 Hz. 4.5 amps
 120V control circuit required
 120V transformer optional

Venting

Use an ETL, UL or ULC listed Category IV, 6" metal vent minimum distance 5 ft. maximum distance 100 eq. ft. and maximum 1.3" WC pressure

Inlet Combustion Air

Up to 100 eq. ft. using 6" PVC or galvanized vent pipe and 0.0" to -1.0" WC pressure

**Alternate Gas Pressure

For < 4.5" W.C., consult factory

Minimum Clearances

24" from front and top
 8" from sides and rear