

Centauri[®] Plus Condensing Boiler

Model: 2000 WBX 250A-IFC

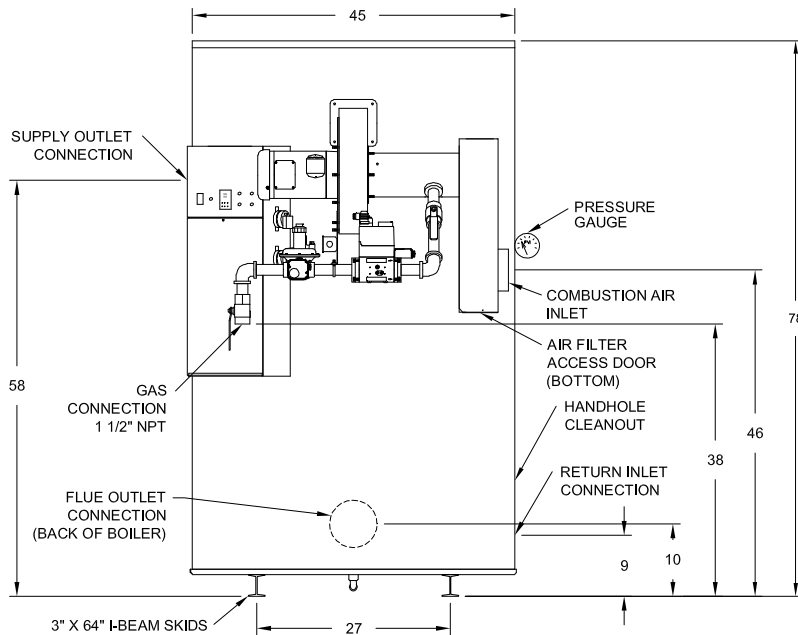
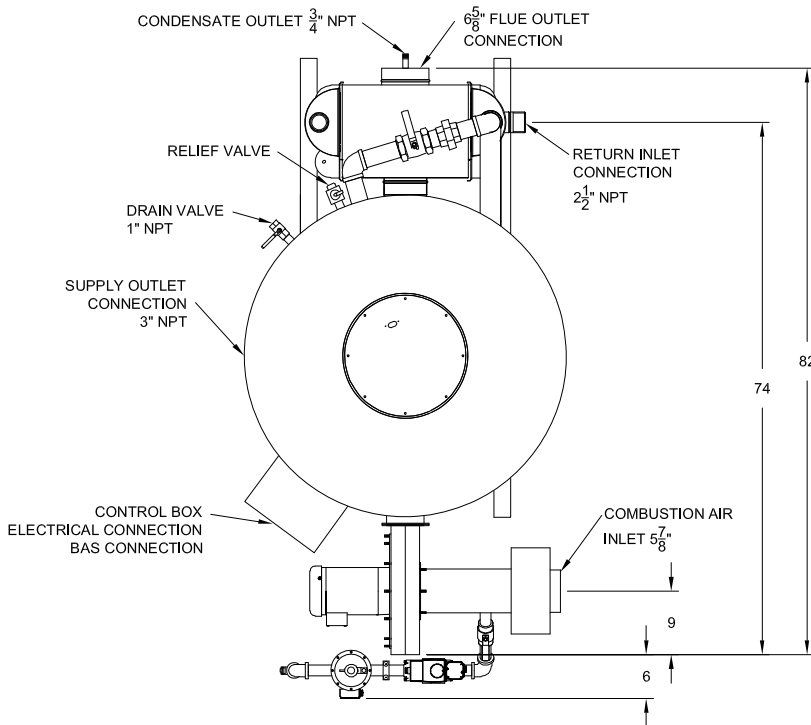
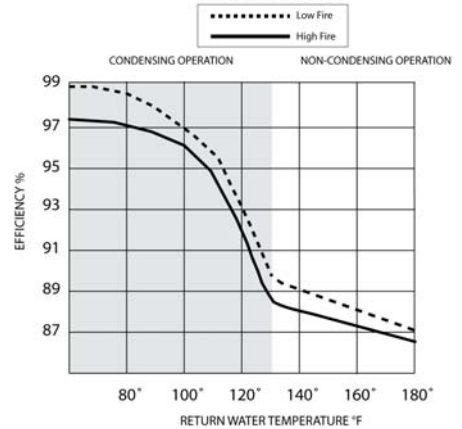
Full modulation
 ≤ 15 ppm NO_x throughout turndown

Max. Input Btu/h	2,000,000
* Max. Output Btu/h, E _T = 94%	1,876,000
** Minimum Inlet Flow Gas Pressure	4.5" W.C.
Maximum Static Gas Pressure	14" W.C.

Shipping Wt - Lbs	2600
Operating Wt - Lbs	3830
Std. pressure drop @ 30°F ΔT	1.5 Ft. Hd.
Std. pressure drop @ 40°F ΔT	0.8 Ft. Hd.

* Output per DOE, 10 CFR 431

CENTAURI Plus BOILER EFFICIENCY CURVES
 with 20°F Temperature Rise



Standard Electrical
 120V, 1Ø, 60 Hz., 20 amp circuit

Optional Electrical
 240V, 1Ø, 60 Hz., 15 amp circuit
 120V control circuit
 208/230V, 3Ø, 60 Hz. 9 amps
 480V, 3Ø, 60 Hz. 4.5 amps
 120V control circuit required
 120V transformer optional

Venting
 Use an ETL, UL, ULC or CSA listed Category IV, 6" stainless steel vent, minimum distance 5 ft., maximum distance 100 eq. ft. Longer vents, ETL listed w/larger diameters, see I&M.

Inlet Combustion Air
 Up to 100 eq. ft. using 6" PVC or galvanized vent pipe. Longer lengths, ETL listed w/larger diameters, see I&M.

**** Alternate Gas Pressure**
 For < 4.5" W.C., consult factory

Minimum Service Clearances
 18" from sides, 24" from front and top

Emissions
 All BTU inputs:
 < 15 ppm NO_x



RIVERSIDE HYDRONICS, LLC · FORT WORTH, TEXAS · (800) 990-5918
 www.riversidehydronics.com



34-823 04.11