

EMXGO Series • Gas /Oil-Fired WATER BOILER

400,000 to 720,000 Btu/h (10 to 18 hp)

MODEL NUMBER	10 WB125A-MXGO	13 WB125A-MXGO	18 WB125A-MXGO
Boiler Horsepower	10	13	18
Input Btu/h	400,000	540,000	720,000
Output Btu/h	328,000	442,800	590,400
Input, gph #2 Fuel Oil	2.8	3.8	5.0
* Min. inlet flow gas pressure " W.C.	4.5	4.5	6.5
* Max static gas pressure " W.C.	14	14	14
A Cold Inlet - NPT	2	2	2
B Hot Outlet - NPT	2	2	2
C Drain - NPT	1	1	1
D I - Beam Skids	3 x 34-1/2	3 x 34-1/2	3 x 34-1/2
E Overall Depth	68	68	68
F Overall Height	75	82	82
G Flue Outlet Diameter	7	8	10
H Oil Inlet - NPT	1/2	1/2	1/2
Motor HP 120 V, 1Ø, 60 Hz.	1/3	1/3	1/2
Motor Amps	8	8	10
L Height to Outlet	65	73	73
M Height to Inlet	28	36	36
N Width	34 1/2	34 1/2	34 1/2
P Skid Centers	23	23	23
R Front to Back	41	41	41
Q Gas Inlet - NPT	1	1	1-1/4
Approx. Shipping Weight - lbs	1120	1260	1370

Output rating based on 82% combustion efficiency.

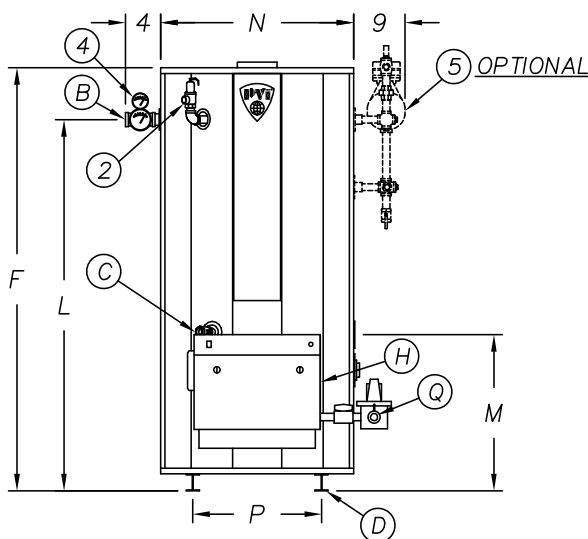
* The information presented is for natural gas 0.6 S.G. and std. gas train – For operation with propane (LP gas), consult the factory.

FOR GAS PRESSURES OUTSIDE OF THIS RANGE, CONTACT YOUR RIVERSIDE HYDRONICS REPRESENTATIVE.

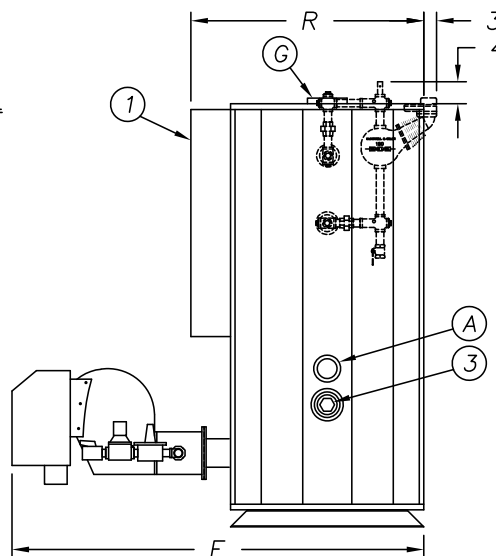
Dimensions are in inches unless otherwise specified.

Burner control panel requires 18" clearance for door swing.

For standard and optional equipment, see form 34-616.



FRONT VIEW



SIDE VIEW

VENTING REQUIREMENTS:

-.02" TO -.06" W.C. (NEGATIVE PRESSURE).

THE ENTIRE VENT SYSTEM SHOULD NEVER BE SIZED BASED UPON THE VENT CONNECTION DIAMETER EXCLUSIVELY. FOR PROPER VENT SIZING, CONSULT THE NATIONAL FUEL GAS CODE UNDER "FAN-ASSISTED".

MINIMUM CLEARANCES:

8" FROM TOP, SIDES AND REAR, 24" FROM FRONT. ADDITIONAL CLEARANCE FOR SERVICE IS RECOMMENDED.

1. Control Enclosure
2. ASME Pressure Relief Valve
3. 3" NPT Handhale
4. Temperature & Pressure Gauges
5. Float Low Water Cut-off (Optional)

ELECTRICAL REQUIREMENTS:

CONTROL VOLTAGE: 120V, 1Ø, 60 HZ., 2 AMPS
SEE ABOVE CHART FOR BLOWER MOTOR AMPS

Riverside
HYDRONICS

RIVERSIDE HYDRONICS, LLC • FORT WORTH, TEXAS • (800) 990-5918



Intertek

34-617 6.10